

# VAC-U-MAX

## MDL 1040 Central Vacuum System



### STANDARD EQUIPMENT:

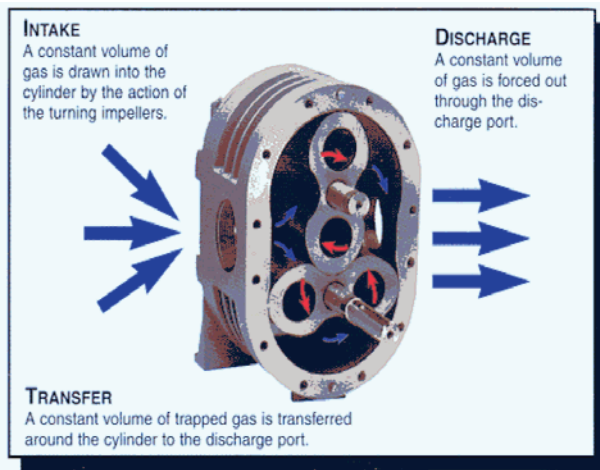
- Standard secondary / safety filter (HEPA option available)
  - Exhaust Silencer
  - Vacuum gauge & vacuum relief valve
  - TEFC 1800 RPM motor with belt drive and OSHA guard
  - Exceptional filter area for fine powders: 85 ft<sup>2</sup> of high-efficiency media rated 99.9% efficient @ 1 micron
  - Plenty of power for long distances and / or high-density materials: 12" Hg /162" Waterlift
  - Small footprint and low noise level: fits anywhere
  - Easy filter access
  - Plug & Play design: NEMA 4 control panel with power disconnect and motor starter is already mounted on the frame. Simply connect 3-phase power and compressed air to the system and it's ready for work.
- Powerful vacuum producer: positive displacement pump always produces the same airflow no matter how difficult the job.
  - Unique automatic off-line pulse-jet filter cleaning ensures consistent vacuum performance.
  - Easy disposal of collected materials: Your choice of standard 55-gallon steel drum or polybag liner.
  - Hydraulic lift mechanism for effortless drum removal.
  - Unique filter housing design prevents bridging of materials and ensures easy discharge of vacuumed material. Excellent for abrasive materials.
  - Fits anywhere: choice of (3) vacuum inlet locations means you can orient the vacuum to suit your floor plan.
  - Drums can be conveniently be accessed from (3) sides.

Dimensions: 64" long x 55" wide x 80" tall  
 Weight: 1,050 lbs.

# VAC-U-MAX

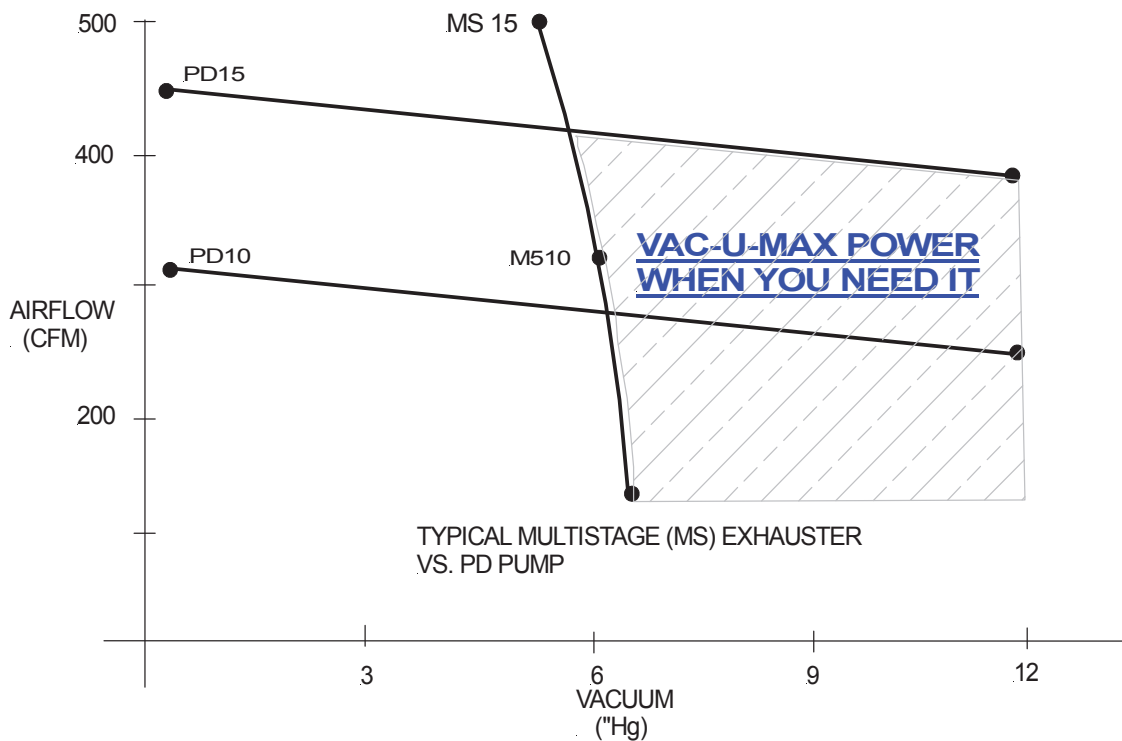
## MDL 1040 Central Vacuum System

### POWER



Positive Displacement, Rotary Lobe Vacuum Pump provides superb airflow performance at high vacuum. This gives you the ability to vacuum material easily from piles or long distances.

- 70 - 100% MORE VACUUM PLUS AIRFLOW
- = LONGER DISTANCES
- = TONS PER HOUR
- = FINISH THE JOB FASTER
- = BEST PRODUCTIVITY & R.O.I.



PERFORMANCE	10 HP	15 HP
MAXIMUM AIRFLOW	240 ACFM @ 12\"Hg (162\" H2O)	380 ACFM @ 12\"Hg (162\"H2O)
INLET SIZE	2.5\" OD	3.0\" OD

# VAC-U-MAX

## MDL 1040 Central Vacuum System

### FEATURES

Automatic pulse-jet filter cleaning ensures consistent vacuum performance.



Choice of (3) vacuum inlet locations means you can orient the vacuum to suit any floor plan



Lifting mechanism

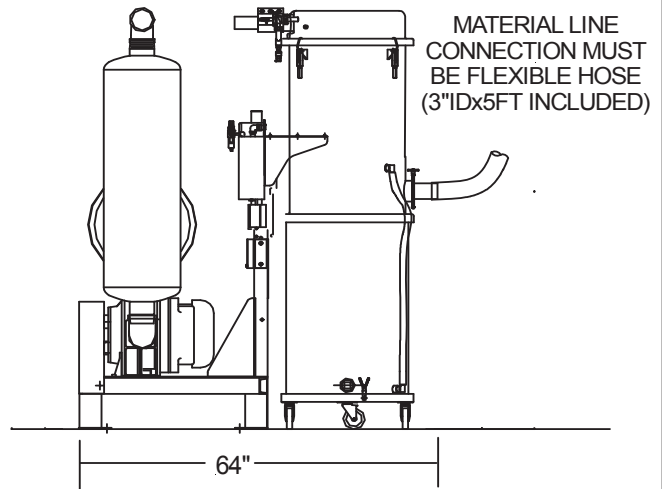
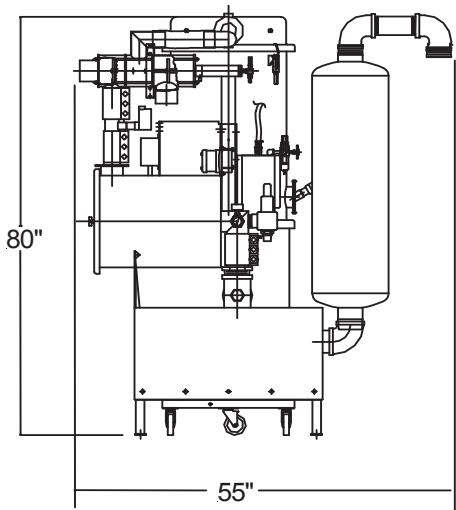
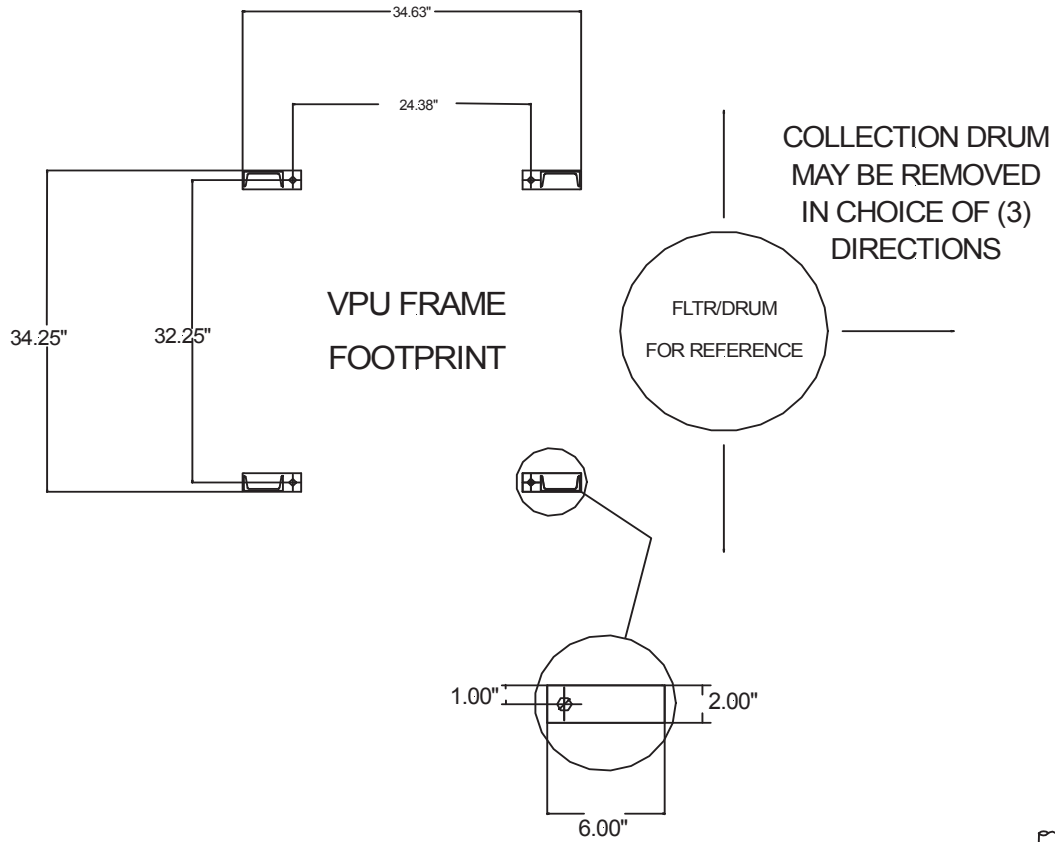
Easy disposal of collected materials: Your choice of standard 55-gallon steel drum or polybag liner.



Drum removal

# VAC-U-MAX

## MDL 1040 Central Vacuum System



VAC-U-MAX

DWN BY: JO

DATE: 02/24/11

SCALE: None

MDL1040 10 & 15 HP CENTRAL VACUUM

DRAWING #  
SK022411JOMDL1040

REV#