

SL SERIES

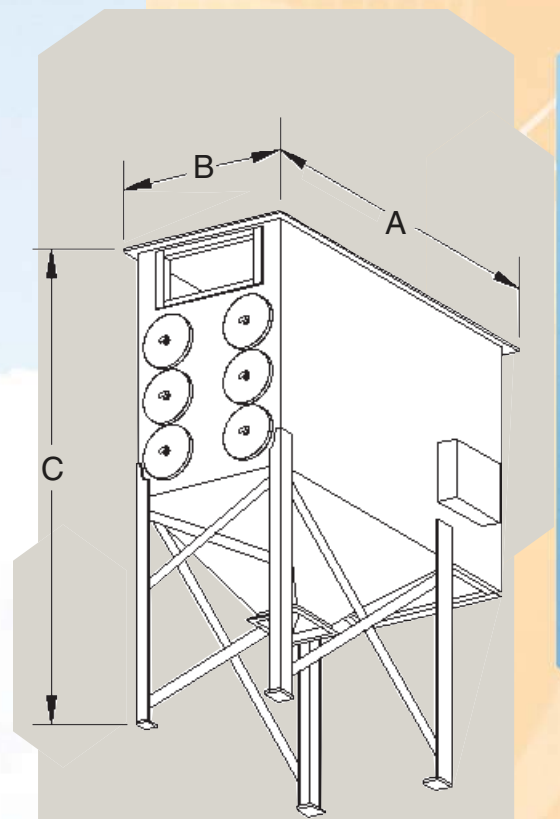
The SL Series Collector is a heavy duty reverse pulse-jet cartridge collector that is suited for industrial powders and submicron dust applications. These units operate with a downward airflow and incorporate our patented nozzle based cleaning system, internal inlet air baffle and close design attention to internal air flow velocities and patterns. The SL Series are sealed and held in place by a patented spring-loaded door and reinforced three-rod support cage. This patented door makes cartridge changes quick and easy, insures a positive seal and proper cartridge tension. This mean a compact collector, longer filter life, less compressed air usage and lower maintenance costs.

STANDARD FEATURES

- 12 gauge steel bin and hopper with reinforced construction
- Zinc oxide primer on all surfaces with an exterior finish of industrial enamel (color is tan or gray)
- One full set of Duratex or Duratex II cartridges (99.99% efficiency)
- Housing designed for ± 20 IWC
- Patented nozzle based cleaning system with solid state pulse timer board prewired in NEMA 4 enclosure (110 V)
- Differential pressure gauge with dust trap and connecting hardware
- Lifting lugs for easy movement and installation
- All units designed and finished for outdoor use
- No tool cartridge removal
- All welded construction
- Designed for 100 MPH wind and Zone 3 seismic loads
- 55° reinforced hopper with square flanged discharge
- Hopper discharge clearance of 42", sized for slide gate and 55 gallon drum adapter

| Model | A | B | C |
|--------|---------|--------|---------|
| SL1-4 | 102.75" | 48.88" | 109.38" |
| SL1-6 | 102.75" | 69.88" | 112.06" |
| SL2-8 | 102.75" | 48.88" | 129.38" |
| SL2-12 | 102.75" | 69.88" | 132.06" |
| SL3-12 | 102.75" | 48.88" | 149.38" |
| SL4-16 | 102.75" | 48.88" | 171.38" |
| SL3-18 | 102.75" | 69.88" | 154.06" |
| SL4-24 | 102.75" | 69.88" | 176.06" |

Larger models available.



AIR CLEANING EQUIPMENT, INC.
 303 North Main Street
 Broadway, NC 27505
 (800) 962-0650
www.aircleaningequipment.com



SCIENTIFIC DUST COLLECTORS

High Ratio Horizontal Cartridges

SL-HR SERIES

The SL-HR Series Collector is a heavy duty reverse pulse-jet cartridge collector that is designed to operate at as much as double the air volume of other cartridge collectors. These units operate at higher rates due to the patented nozzle based cleaning system, internal inlet air baffle and close design attention to internal air flow velocities and patterns.

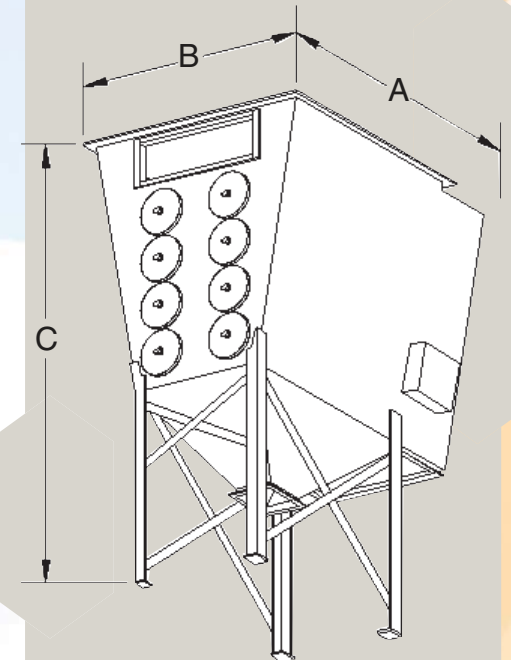
The patented cleaning system induces greater volumes of cleaning air per cartridge. The SL-HR Series are sealed and held in place by a patented spring-loaded door and reinforced three-rod support cage. This patented door makes cartridge changes quick and easy, and insures a positive seal and proper cartridge tension. These features ultimately mean a smaller collector, fewer filters, longer filter life, less compressed air usage and lower maintenance costs.

STANDARD FEATURES

- Patented nozzle-based reverse pulse automatic cleaning system
- All welded construction assures long service life and avoids leaks and corrosion associated with bolt-together construction
- Patented internal air baffle provides even dust loading, minimizes dust re-entrainment and maintains a downward air flow
- Spring loaded cartridge access doors which assure proper seal pressure and eliminates leakage
- Top or bottom flanged outlets
- 12 gauge steel bin and hopper with reinforced construction
- Zinc oxide primer on all surfaces with an exterior finish of industrial enamel
- One full set of Duratex or Duratex II cartridges (99.99% efficiency)
- Housing designed for ± 20 IWC
- Designed for 100 MPH wind and seismic zone 3 loads
- 60° reinforced hopper with square flanged discharge
- Solid state cleaning system control board prewired in a NEMA 4 enclosure
- Differential pressure gauge with dust trap and connecting hardware
- Hopper discharge clearance of 42", sized for slide gate and 55 gallon drum adapter

| Model | A | B | C |
|----------|--------|--------|---------|
| SL2-6HR | 114.5" | 54.38" | 135.75" |
| SL2-8HR | 114.5" | 58" | 139.75" |
| SL2-10HR | 112.5" | 63.5" | 159.75" |
| SL2-12HR | 112.5" | 70.25" | 159.75" |
| SL2-16HR | 112.5" | 84.75" | 183.75" |

Larger models available.



AIR CLEANING EQUIPMENT, INC.
303 North Main Street
Broadway, NC 27505
(800) 962-0650
www.aircleaningequipment.com



SCIENTIFIC DUST COLLECTORS

BUL #502
05/06