

MP SERIES

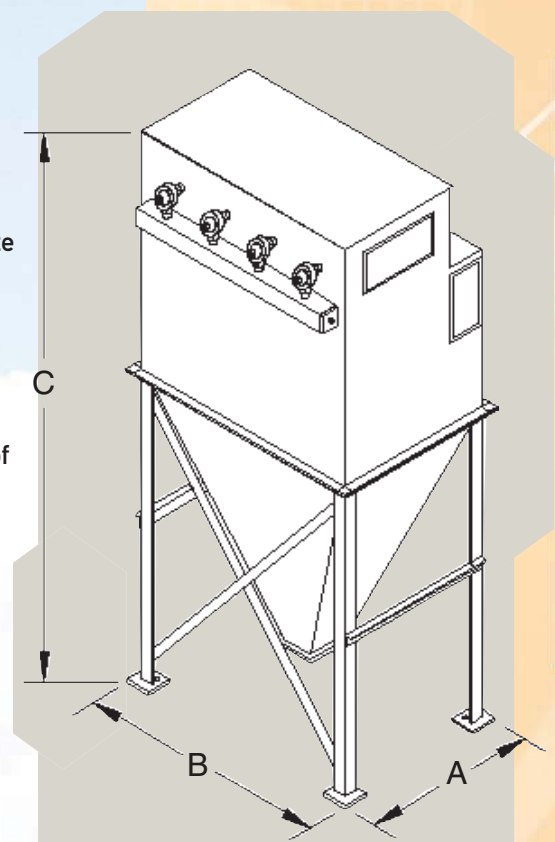
The MP collector is an economical cartridge collector with all the quality design features you have come to expect from Scientific Dust Collectors. The unit features all welded construction and patented nozzle based cleaning system. Our spring loaded cartridge holder guarantees to provide a no leak seal between the tube sheet and the cartridge.

STANDARD FEATURES

- High side inlet with internal baffle
- 12 gauge hot rolled steel housing, reinforced to withstand ± 20 IWC static pressure, welded construction, pre-assembled to largest feasible shipping sections
- Welded support structure designed for 100 MPH winds and Zone 3 seismic loads
- Patented cleaning system with solid state timer pre-wired in NEMA 4 enclosure (110 V)
- 60° hopper with hopper discharge clearance of 42", sized for slide gate and 55 gallon drum adapter
- Compressed air manifold mounted with pipe couplings on both ends for easy connection of air supply
- Flanged inlet and flanged outlet
- Removable 20" x 20" hopper access panels and bag access door
- One differential pressure gauge with connecting hardware
- One full set of Duratex or Duratex II cartridges (99.99% efficiency)
- Zinc oxide primer on the interior and exterior, and an exterior finish of industrial enamel (color is tan or gray)

Model	A	B	C
MP-2	36"	40"	95"
MP-4	50"	40"	125"
MP-6	50"	58"	132"
MP-8	76"	57"	150"
MP-10	76"	68"	150"
MP-12	78"	80"	155"
MP-15	96"	78"	170"
MP-18	98"	92"	172"
MP-21	100"	106"	182"
MP-24	119"	102"	197"
MP-28	137"	102"	184"

Larger models available.



AIR CLEANING EQUIPMENT, INC.
 303 North Main Street
 Broadway, NC 27505
 (800) 962-0650
www.aircleaningequipment.com



SCIENTIFIC DUST COLLECTORS

Small Vertical Cartridges

MPL SERIES

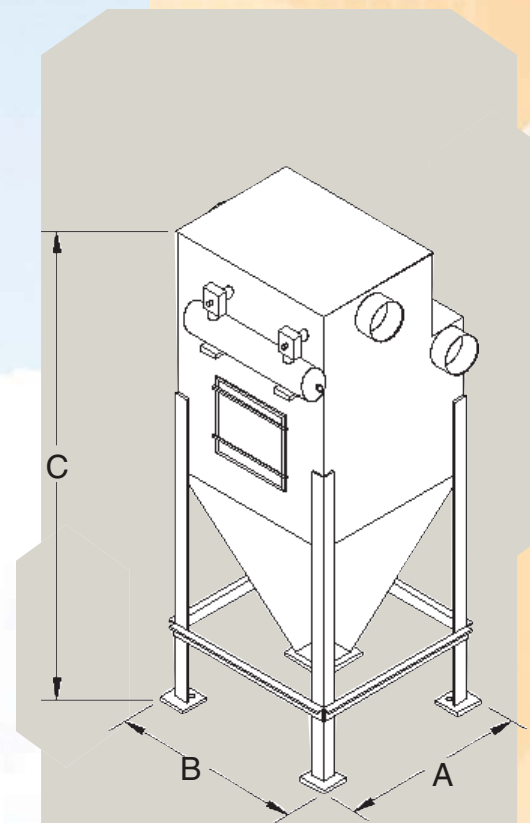
The MPL collector is an economical cartridge collector with all the quality design features you have come to expect from Scientific Dust Collectors. The unit features all welded construction and patented nozzle based cleaning system. Cartridges are secured using a spring-loaded handle to assure proper sealing and guaranteed to provide a no leak seal between the tube sheet and the cartridge.

STANDARD FEATURES

- 12 gauge hot rolled steel housing, reinforced to withstand ± 20 IWC static pressure, welded construction, pre-assembled to largest feasible shipping sections
- Patented cleaning system with solid state timer pre-wired in NEMA 4 enclosure (110 V)
- 60° hopper with square discharge, flanged and pre-drilled for auxiliary equipment
- Compressed air manifold mounted with pipe couplings on both ends for easy connection of air supply
- Hopper discharge clearance of 20", sized for slide gate and 5 gallon utility pail
- Flanged inlet and flanged outlet
- One differential pressure gauge with connecting hardware
- One full set of Duratex or Duratex II cartridges (99.99% efficiency)
- Zinc oxide primer on all surfaces with an exterior finish of industrial enamel (color is tan or gray)

Model	A	B	C
MPL-2	19"	27"	73.5"
MPL-4	34"	27"	80.5"
MPL-6	34"	39"	85"
MPL-9	50"	39"	96.5"

Larger models available.



AIR CLEANING EQUIPMENT, INC.
303 North Main Street
Broadway, NC 27505
(800) 962-0650
www.aircleaningequipment.com



SCIENTIFIC DUST COLLECTORS

BUL #302
05/06